

- NOTES:**
- VIEW OF FEMALE CONNECTOR, STANDING AT REAR OF TRUCK, LOOKING AT THE CONNECTOR.
  - BRAKE LIGHTS SHALL FUNCTION WITH TURN SIGNALS.
  - WIRE SHALL BE 7 WAY (1-10 GAUGE; 6-12 GAUGE) PER ATA COLOR CODE, CLAMPED EVERY 18" MINIMUM.
  - CONNECTION SHALL BE MADE USING FACTORY OEM TRAILER WIRING HARNESS.
  - ALL CONNECTIONS SHALL BE WATER TIGHT.
  - ALL PINS SHALL BE ROUND STYLE.

**WIRING NOTES:**

- A. WHITE: GROUND - 10
- B. BLACK: MARKER -12
- C. YELLOW: LEFT TURN & BRAKE - 12
- D. RED: STOP / BRAKE -12
- E. GREEN: RIGHT TURN & BRAKE - 12
- F. BROWN: TAIL - 12
- G. BLUE: ABS -12

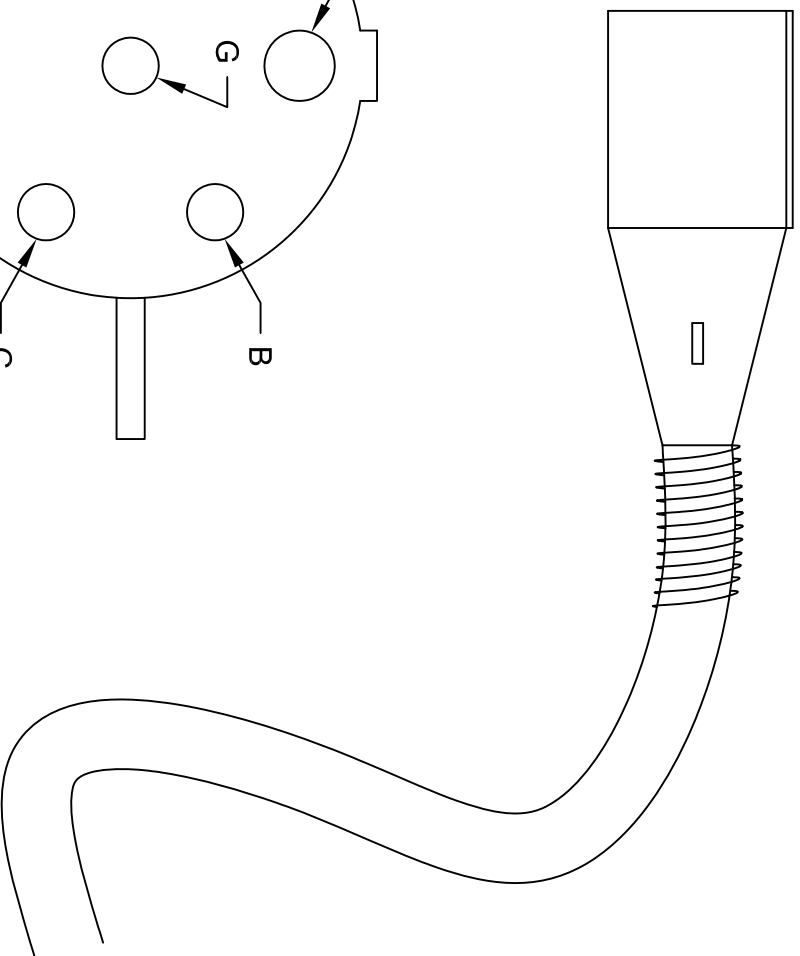
**PA DEPARTMENT OF TRANSPORTATION**

REVISIONS		DRAWN BY		SCALE	
NO.	DATE	BY			
1			JJB	N/A	EQN-80A
2					
3					

WIRING DIAGRAM / 7 WAY ROUND  
PIN FEMALE CONNECTOR

DATE: 08-02-16      SHEET 1 OF 1

- WIRING NOTES:**
- A. WHITE: GROUND - 10
  - B. BLACK: MARKER -12
  - C. YELLOW: LEFT TURN & BRAKE - 12
  - D. RED: STOP / BRAKE -12
  - E. GREEN: RIGHT TURN & BRAKE - 12
  - F. BROWN: TAIL - 12
  - G. BLUE: ABS -12



**PA DEPARTMENT OF TRANSPORTATION**

REVISIONS			WIRING DIAGRAM / 7 WAY ROUND PIN MALE CONNECTOR		
NO	DATE	BY	DRAWN BY	SCALE	EQN-80B
1			JJB	N/A	
2					
3					

DATE 08-02-16 SHEET 1 OF 1

THIS VEHICLE SHALL COMPLY WITH THE RULES OF THE NATIONAL HIGHWAY TRAFFIC SAFETY ADMINISTRATION (NHTSA) IN THAT:

THE MOUNTING HEIGHT OF THE HORIZONTAL STRIPES ARE RESTRICTED TO THE SAME HEIGHT AS OTHER RETROREFLECTIVE DEVICES CURRENTLY REQUIRED BY STANDARD NUMBER 108. THE CENTER OF THE MATERIAL MUST NOT BE LESS THAN 15in. ABOVE THE ROAD SURFACE, AND THE UPPER EDGE NOT MORE THAN 60in. ABOVE IT.

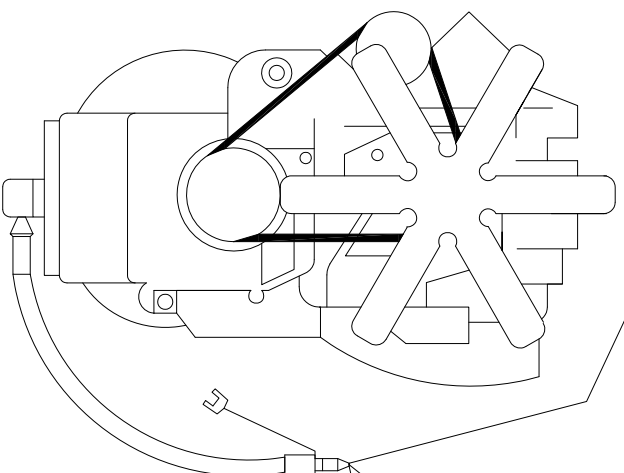
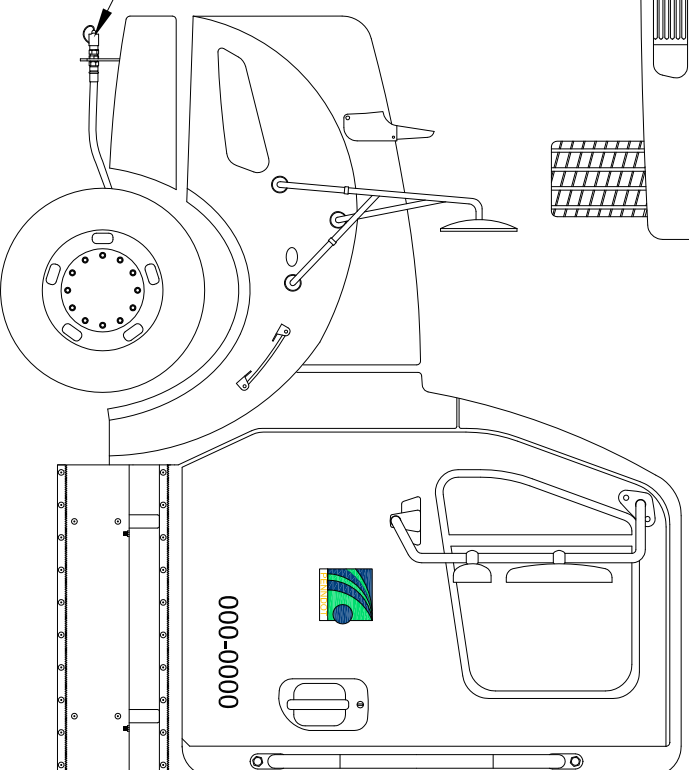
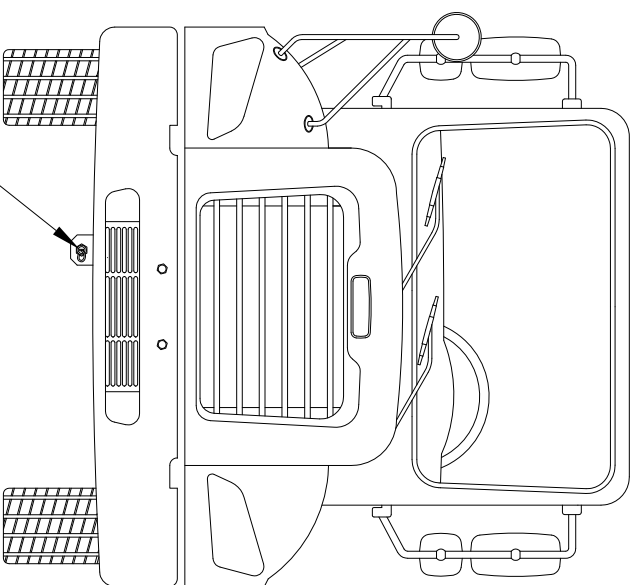
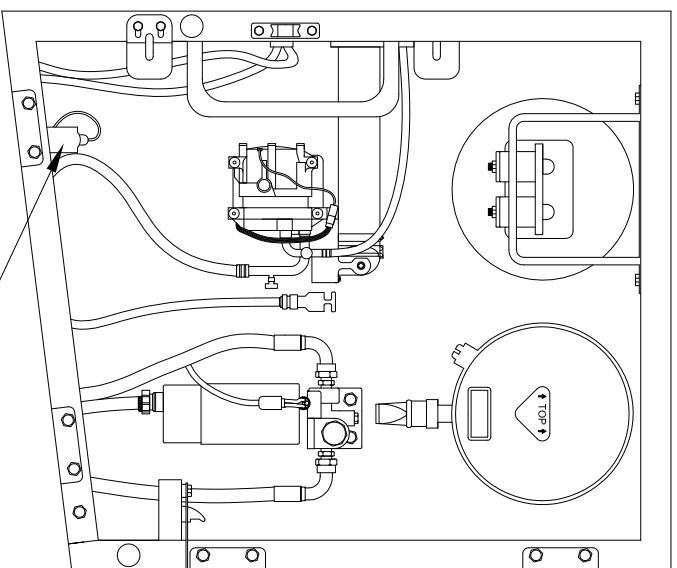
REFLECTIVE MATERIAL SHALL BE APPLIED TO THE HORIZONTAL BAR OF THE REAR UNDERIDE DEVICE IN ADDITION TO THE FLOOR LEVEL HORIZONTAL STRIPE. THE UPPER CORNERS ARE TO BE MARKED BY TWO 90 DEGREE ANGLE BRACKETS OF WHITE STRIPES 12in. BY TWO INCHES WIDE, INDICATING THE WIDTH AND HEIGHT OF THE TRAILER.

THE CONFIGURATION SHALL IDENTIFY THE VEHICLE AS TO ITS ESTIMATED SIZE AND THE CLOSING DISTANCE TO IT. THE DISTRIBUTION OF SPACES AND MATERIALS SHALL BE AS UNIFORM AS PRACTICAL AND INDICATE THE FULL LENGTH AND WIDTH OF THE VEHICLE. THE COLORS SHALL BE PLACED IN ALTERNATING SEQUENCE WITH MORE THAN TWO-THIRDS OF THE MATERIAL IN COLOR.

CONSPICUITY TAPE SHALL BE REFLECTORIZED. 2in. WIDE, MATERIAL SHALL BE APPLIED. MATERIAL SHALL BE RED/SILVER CONTINUOUS BACKING REFLEXITE CONSPICUITY II SYSTEM OR 3M SCOTCHLITE CONSPICUITY SHEETING SERIES 980.

THE MOST CURRENT REGULATIONS SHALL BE ADHERED TO.

REVISIONS			CONSPICUITY TAPE STRIPING REQUIREMENTS		
NO.	DATE	BY	DRAWN BY	SCALE	EQN-127A
1	05-16-02	DWG	DLW	N/A	EQN-127A
2	11-03-06	CJW	DLW	N/A	EQN-127A
3	01-02-09	MHH	DLW	N/A	EQN-127A



DISCONNECT  
COUPLING  
FLOCS  
ENGINE KIT

**PA DEPARTMENT OF TRANSPORTATION**

**REVISIONS**

NO	DATE	BY
1	07-01-03	BLD
2	10-20-06	CJW
3	06-19-13	JFM

**FAST LUBE OIL CHANGE SYSTEM  
OVERVIEW AND PARTS LIST**

SCALE	DATE	CHK'D BY
N/A	08-22-97	WHM

000-0000



1. CONTACT AEROQUIP WITH YOUR DRAIN PAN PLUG SIZE
2. AEROQUIP DEALER TELEPHONE NUMBERS:

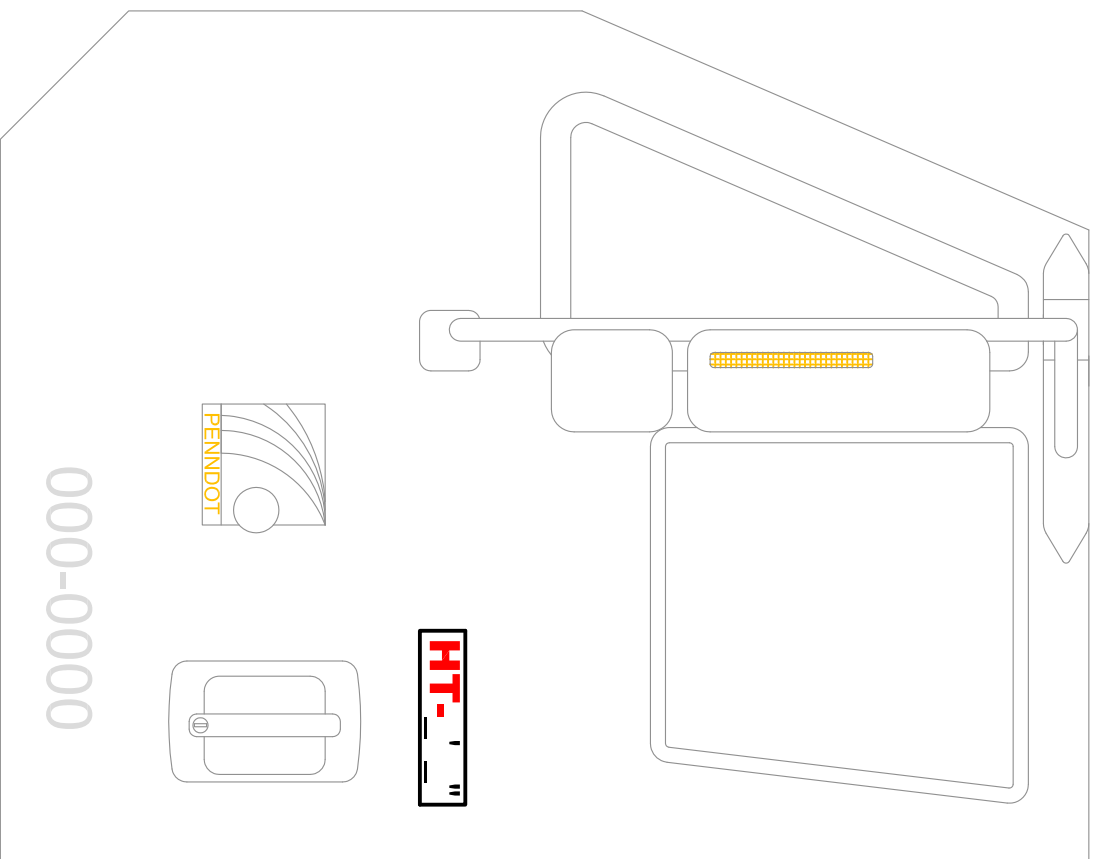
ADVANCED FLUID CONNECTORS..... 717-757-1068  
 AIR BRAKE & POWER EQUIPMENT CO.. 717-622-6188  
 AMERICAN BEARING & POWER..... 717-569-3291  
 GOODALL RUBBER COMPANY ..... 610-534-2100  
 POWER DRIVES INC..... 814-833-8181  
 R L MILLER INC..... 412-833-6800  
 R L MILLER INC..... 814-456-8900  
 SRG/BEVCO..... 610-358-3100  
 VOTO MANUFACTURERS SALES CO.... 814-226-7101

FLOCS SHALL INCLUDE, BUT NOT LIMITED TO:

- A. DUST CAP 5657-12
- B. HOSE TO SUIT LENGTH
- C. HOSE FITTING TO SUIT
- D. ADAPTER TO SUIT
- E. HOSE CLAMP #900729-6
- F. BRACKET TO SUIT
- G. COUPLING 5602-12-12S

PA DEPARTMENT OF TRANSPORTATION

REVISIONS			FAST LUBE OIL CHANGE SYSTEM OVERVIEW AND PARTS LIST		
NO	DATE	BY	SCALE	CHK'D BY	
1	07-01-03	BLD	DLW	N/A	EQN-351A
2	10-20-06	CJW			
3	06-19-13	JFM			



THERE SHALL BE A PERMANENT DECAL, 2 INCH HIGH RED LETTERS ON WHITE BACKGROUND AFFIXED BY THE DRIVER SIDE DOOR HANDLE OR OPERATOR STATION STATING THE OVERALL MAXIMUM TRAVEL HEIGHT OF THE COMPLETED AND UNLOADED UNIT.

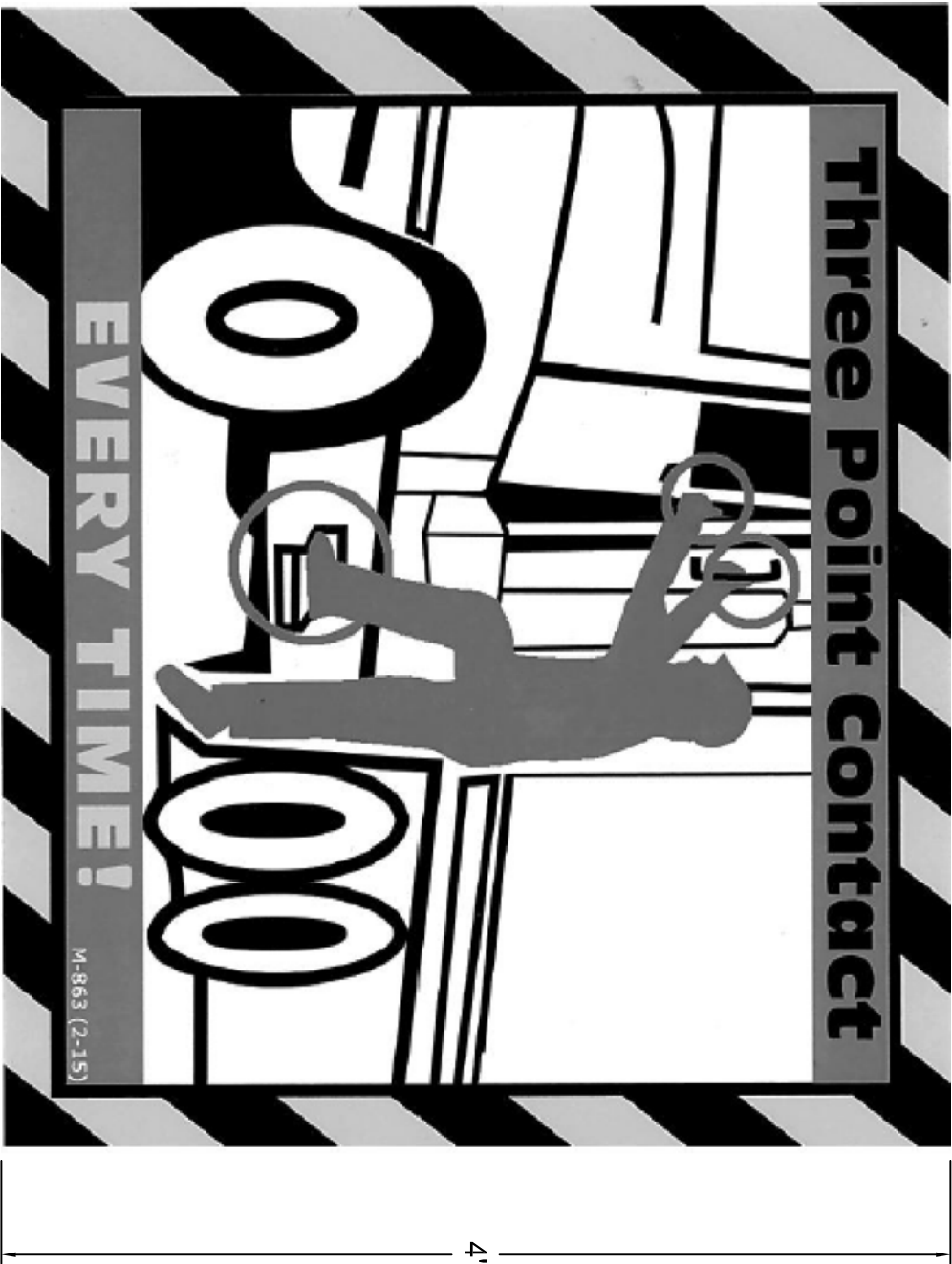
**PA DEPARTMENT OF TRANSPORTATION**

**REVISIONS**

NO.	DATE	BY	DESCRIPTION
1	07-06-17	HMR	MAX TRAVEL HEIGHT STICKER
2			
3			

MAX TRAVEL HEIGHT STICKER

DRAWN BY	JFM	SCALE	2	EQN-552
DATE	05-29-13	CHECKED BY	INT	SHEET 1 OF 1



THERE SHALL BE A PERMANENT DECAL AFFIXED BY EACH ENTRY POINT. THE SAME PERMANENT DECAL SHALL BE AFFIXED BY EACH LADDER, PLATFORM OR STEP DESIGNED TO BE CLIMBED OR STEPPED ON. MEASUREMENTS OF DECAL ARE REFERENCED ABOVE.

PA DEPARTMENT OF TRANSPORTATION			THREE POINTS OF CONTACT STICKER		
REVISIONS		NO	DATE	BY	
		1	12-20-16	JJB	
		2	07-06-17	HMR	
		3			

DATE	03-23-15	DRAWN BY	GAW	SCALE	N/A	EQN-552-1
		CHG'D BY	TOD			SHEET 1 OF 1